

## Standard Preparation 1200 mm Passthrough Worktop Cupboard with Shelf & Sliding Doors

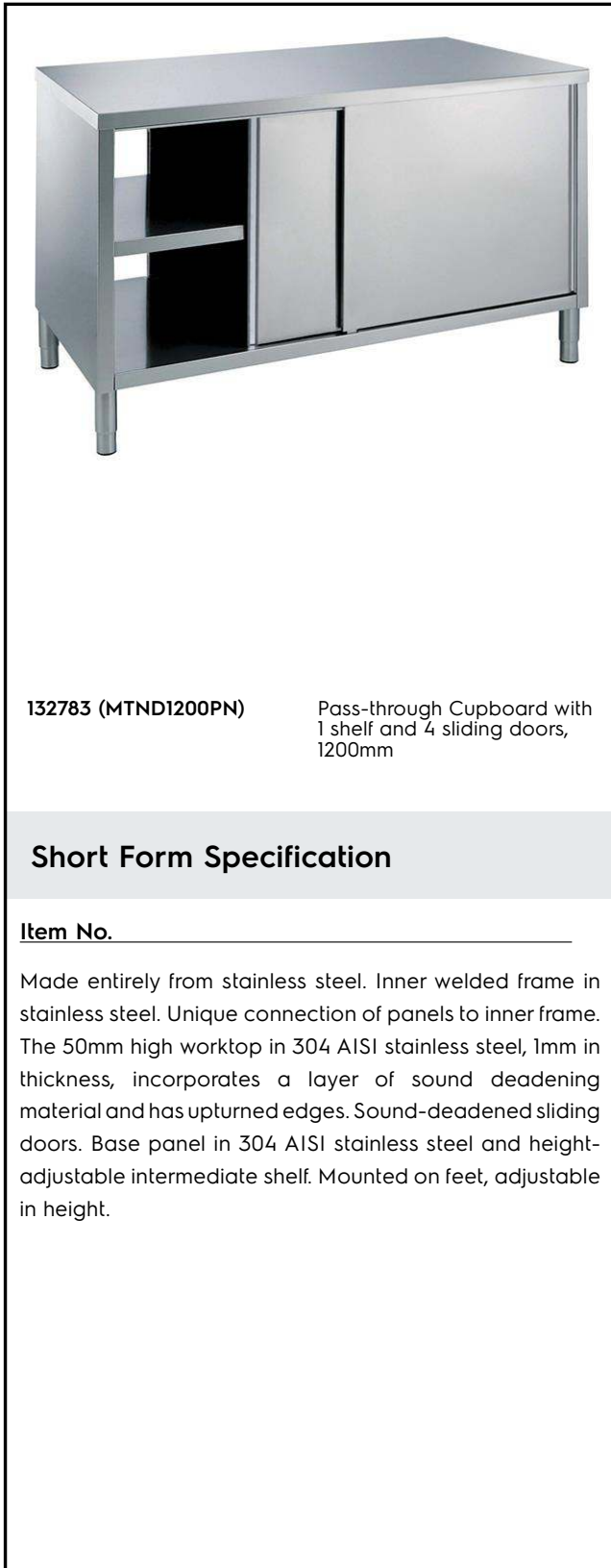
ITEM # \_\_\_\_\_

MODEL # \_\_\_\_\_

NAME # \_\_\_\_\_

SIS # \_\_\_\_\_

AIA # \_\_\_\_\_


**132783 (MTND1200PN)**

 Pass-through Cupboard with  
 1 shelf and 4 sliding doors,  
 1200mm

### Short Form Specification

Item No. \_\_\_\_\_

Made entirely from stainless steel. Inner welded frame in stainless steel. Unique connection of panels to inner frame. The 50mm high worktop in 304 AISI stainless steel, 1mm in thickness, incorporates a layer of sound deadening material and has upturned edges. Sound-deadened sliding doors. Base panel in 304 AISI stainless steel and height-adjustable intermediate shelf. Mounted on feet, adjustable in height.

### Main Features

- Ideal for central positioning in the kitchen.
- Handles in stainless steel for better hygiene and reliability.
- Sturdiness, stability and reliability of table accurately tested.

### Construction

- Inner welded frame in stainless steel to guarantee superior strength and stability.
- Easy access to the cupboard interior on all lengths guaranteed by the use of only 2 doors.
- 50 mm worktop in 304 AISI stainless steel with upturned edges, incorporates an 18 mm layer of sound deadening material.
- Reinforced side and base panel in 304 AISI stainless steel.
- Equipped with intermediate shelf which can be positioned at three different heights.
- Sturdy sound-deadened sliding doors on tracks located flush to the front of the frame.
- Intermediate shelf in stainless steel with riveted corners and trasversal reinforcement in stainless steel.
- 100 mm upstand with 10 mm radiused corner and 13 mm deep, designed to be used against a wall.
- Base panel has 40mm high profile, is 8/10 in thickness with upturned edges and bar reinforcement. It is welded to legs for further structure reinforcement.
- 304 AISI stainless steel feet, 150 mm high and 54 mm in diameter, adjustable by -35/+25 mm.

### Optional Accessories

- Wheel kit for cupboards, 4 wheels (2 with brakes), D=100 mm PNC 855299

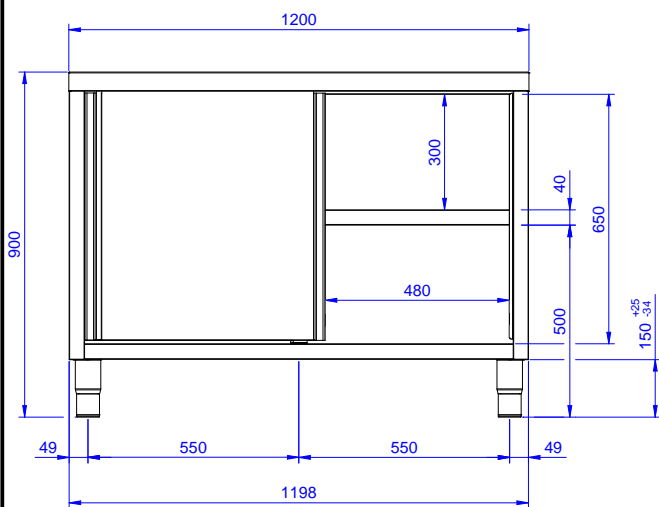
APPROVAL: \_\_\_\_\_

## Standard Preparation 1200 mm Passthrough Worktop Cupboard with Shelf & Sliding Doors

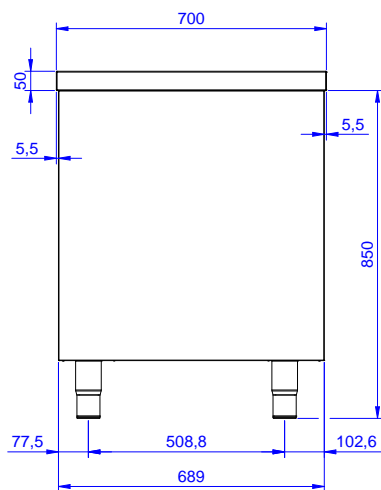
### Key Information:

|                                     |           |  |
|-------------------------------------|-----------|--|
| <b>Cabinet width:</b>               |           |  |
| <b>132783 (MTND1200PN)</b>          | 1145 mm   |  |
| <b>Cabinet depth:</b>               | 604 mm    |  |
| <b>Cabinet height:</b>              | 610 mm    |  |
| <b>External dimensions, Width:</b>  | 1200 mm   |  |
| <b>External dimensions, Depth:</b>  | 700 mm    |  |
| <b>External dimensions, Height:</b> | 900 mm    |  |
| <b>Number and type of doors:</b>    | 4 Sliding |  |
| <b>Worktop thickness:</b>           | 50 mm     |  |
| <b>Net weight:</b>                  | 55 kg     |  |

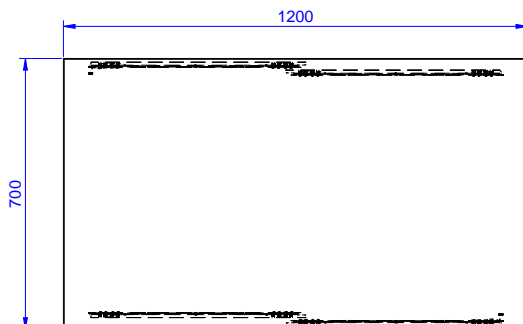
Front



Side



Top



Standard Preparation  
1200 mm Passthrough Worktop Cupboard with Shelf & Sliding Doors

The company reserves the right to make modifications to the products without prior notice. All information correct at time of printing.